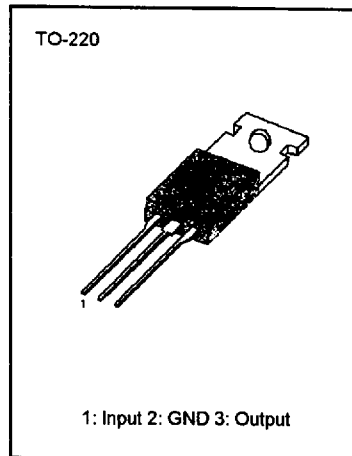


3-TERMINAL 1A POSITIVE VOLTAGE REGULATORS

The KA78XX series of three-terminal positive regulators are available in the TO-220 package and with several fixed output voltages, making them useful in a wide range of applications. Each type employs internal current limiting, thermal shut-down and safe area protection, making it essentially indestructible. If adequate heat sinking is provided, they can deliver over 1A output current. Although designed primarily as fixed voltage regulators, these devices can be used with external components to obtain adjustable voltages and currents.



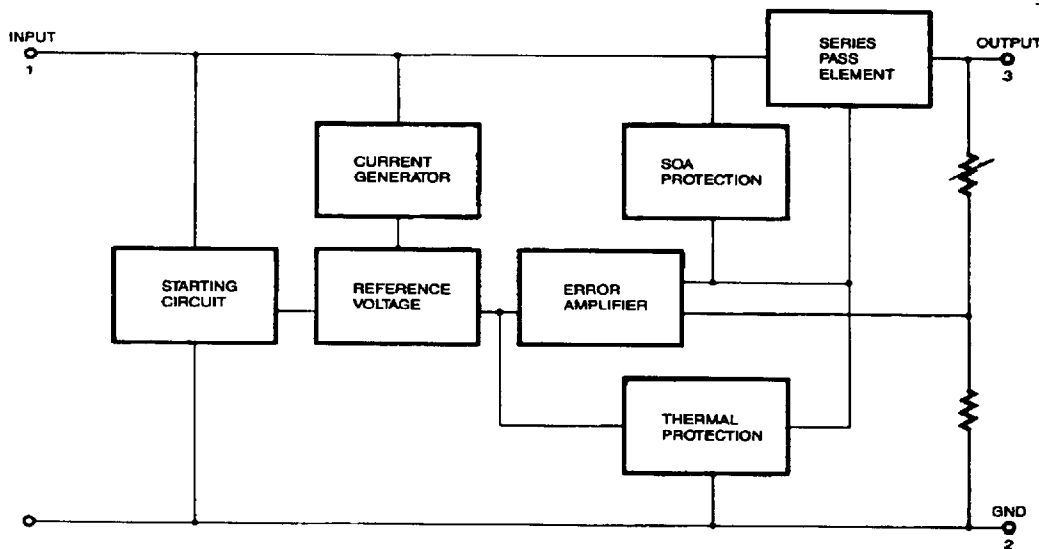
FEATURES

- Output Current up to 1A
- Output Voltages of 5; 6; 8; 9; 10; 11; 12; 15; 18; 24V
- Thermal Overload Protection
- Short Circuit Protection
- Output Transistor SOA Protection

ORDERING INFORMATION

Device	Package	Operating Temperature
KA78XX	TO-220	0 ~ + 125°C
KA78XXA	TO-220	0 ~ + 125°C
KA78XXI	TO-220	-40 ~ + 125°C

BLOCK DIAGRAM



ABSOLUTE MAXIMUM RATINGS ($T_A = 25^\circ\text{C}$, unless otherwise specified)

Characteristic	Symbol	Value	Unit
Input Voltage (for $V_O = 5\text{V}$ to 18V)	V_I	35	V
(for $V_O = 24\text{V}$)	V_I	40	V
Thermal Resistance Junction-Cases	$R_{\theta JC}$	5	$^\circ\text{C}/\text{W}$
Thermal Resistance Junction-Air	$R_{\theta JA}$	65	$^\circ\text{C}/\text{W}$
Operating Temperature Range KA78XX/A	T_{OPR}	0~ +125	$^\circ\text{C}$
KA78XXI		-40~ +125	$^\circ\text{C}$
Storage Temperature Range	T_{STG}	-65~ +150	$^\circ\text{C}$

KA7805/I ELECTRICAL CHARACTERISTICS

(Refer to test circuit, $T_{MIN} < T_J < T_{MAX}$, $I_O = 500\text{mA}$, $V_I = 10\text{V}$, $C_I = 0.33\mu\text{F}$, $C_O = 0.1\mu\text{F}$, unless otherwise specified)

Characteristic	Symbol	Test Conditions	KA7805I			KA7805			Unit	
			Min	Typ	Max	Min	Typ	Max		
Output Voltage	V_O	$T_J = 25^\circ\text{C}$	4.8	5.0	5.2	4.8	5.0	5.2	V	
		$5.0\text{mA} \leq I_O \leq 1.0\text{A}$, $P_O \leq 15\text{W}$ $V_I = 7\text{V}$ to 20V $V_I = 8\text{V}$ to 20V	4.75	5.0	5.25	4.75	5.0	5.25		
Line Regulation	ΔV_O	$T_J = 25^\circ\text{C}$	$V_O = 7\text{V}$ to 25V	4.0	100		4.0	100	mV	
			$V_I = 8\text{V}$ to 12V		1.6	50		1.6		50
Load Regulation	ΔV_O	$T_J = 25^\circ\text{C}$	$I_O = 5.0\text{mA}$ to 1.5A		9	100		9	100	mV
			$I_O = 250\text{mA}$ to 750mA		4	50		4	50	
Quiescent Current	I_O	$T_J = 25^\circ\text{C}$		5.0	8		5.0	8	mA	
Quiescent Current Change	ΔI_O	$T_J = 25^\circ\text{C}$	$I_O = 5\text{mA}$ to 1.0A		0.03	0.5		0.03	0.5	mA
			$V_I = 7\text{V}$ to 25V					0.3	1.3	
			$V_I = 8\text{V}$ to 25V		0.3	1.3				
Output Voltage Drift	$\Delta V_O/\Delta T$	$I_O = 5\text{mA}$		-0.8			-0.8		mV/ $^\circ\text{C}$	
Output Noise Voltage	V_N	$f = 10\text{Hz}$ to 100KHz , $T_A = 25^\circ\text{C}$		42			42		μV	
Ripple Rejection	RR	$f = 120\text{Hz}$ $V_O = 8$ to 18V	62	73		62	73		dB	
Dropout Voltage	V_O	$I_O = 1\text{A}$, $T_J = 25^\circ\text{C}$		2			2		V	
Output Resistance	R_O	$f = 1\text{KHz}$		15			15		$\text{m}\Omega$	
Short Circuit Current	I_{SC}	$V_I = 35\text{V}$, $T_A = 25^\circ\text{C}$		230			230		mA	
Peak Current	I_{PK}	$T_J = 25^\circ\text{C}$		2.2			2.2		A	

* $T_{MIN} < T_J < T_{MAX}$

KA78XXI ; $T_{MIN} = -40^\circ\text{C}$, $T_{MAX} = 125^\circ\text{C}$

KA78XX ; $T_{MIN} = 0^\circ\text{C}$, $T_{MAX} = 125^\circ\text{C}$

* Load and line regulation are specified at constant junction temperature. Changes in V_O due to heating effects must be taken into account separately. Pulse testing with low duty is used.

KA7806/I ELECTRICAL CHARACTERISTICS

(Refer to test circuit, $T_{MIN} < T_J < T_{MAX}$, $I_O=500mA$, $V_I=11V$ $C_I=0.33\mu F$, $C_O=0.1\mu F$, unless otherwise specified)

Characteristic	Symbol	Test Conditions	KA7806I			KA7806			Unit	
			Min	Typ	Max	Min	Typ	Max		
Output Voltage	V_O	$T_J = 25^\circ C$	5.75	6.0	6.25	5.75	6.0	6.25	V	
		$5.0mA \leq I_O \leq 1.0A$, $P_D \leq 15W$ $V_I = 8.0V$ to $21V$ $V_I = 9.0V$ to $21V$	5.7	6.0	6.3	5.7	6.0	6.3		
Line Regulation	ΔV_O	$T_J = 25^\circ C$	$V_I = 8V$ to $25V$		5	120		5	120	mV
			$V_I = 9V$ to $13V$		1.5	60		1.5	60	
Load Regulation	ΔV_O	$T_J = 25^\circ C$	$I_O = 5mA$ to $1.5A$		9	120		9	120	mV
			$I_O = 250mA$ to $750A$		3	60		3	60	
Quiescent Current	I_Q	$T_J = 25^\circ C$		5.0	8		5.0	8	mA	
Quiescent Current Change	ΔI_Q		$I_O = 5mA$ to $1A$			0.5		0.5	mA	
			$V_I = 8V$ to $25V$					1.3		
			$V_I = 9V$ to $25V$			1.3				
Output Voltage Drift	$\Delta V_O / \Delta T$			-0.8			-0.8		mV/ $^\circ C$	
Output Noise Voltage	V_N	$f = 10Hz$ to $100KHz$, $T_A = 25^\circ C$		45			45		μV	
Ripple Rejection	RR	$f = 120Hz$ $V_I = 9V$ to $19V$	59	75		59	75		dB	
Dropout Voltage	V_D	$I_O = 1A$, $T_J = 25^\circ C$		2			2		V	
Output Resistance	R_D	$f = 1KHz$		19			19		$m\Omega$	
Short Circuit Current	I_{SC}	$V_I = 35V$, $T_A = 25^\circ C$		250			250		mA	
Peak Current	I_{PK}	$T_J = 25^\circ C$		2.2			2.2		A	

KA7808/I ELECTRICAL CHARACTERISTICS

(Refer to test Circuit, $T_{MIN} < T_J < T_{MAX}$, $I_O = 500mA$, $V_I = 14V$, $C_I = 0.33\mu F$, $C_O = 0.1\mu F$, unless otherwise specified)

Characteristic	Symbol	Test Conditions	KA7808I			KA7808			Unit	
			Min	Typ	Max	Min	Typ	Max		
Output Voltage	V_O	$T_J = 25^\circ C$	7.7	8.0	8.3	7.7	8.0	8.3	V	
		$5.0mA \leq I_O \leq 1.0A$, $P_O \leq 15W$ $V_I = 10.5V$ to $23V$ $V_I = 11.5V$ to $23V$	7.6	8.0	8.4	7.6	8.0	8.4		
Line Regulation	ΔV_O	$T_J = 25^\circ C$	$V_I = 10.5V$ to $25V$	5.0	160		5.0	160	mV	
			$V_I = 11.5V$ to $17V$	2.0	80		2.0	80		
Load Regulation	ΔV_O	$T_J = 25^\circ C$	$I_O = 5.0mA$ to $1.5A$	10	160		10	160	mV	
			$I_O = 250mA$ to $750mA$	5.0	80		5.0	80		
Quiescent Current	I_Q	$T_J = 25^\circ C$		5.0	8		5.0	8	mA	
Quiescent Current Change	ΔI_Q	$T_J = 25^\circ C$	$I_O = 5mA$ to $1.0A$		0.05	0.5		0.05	0.5	mA
			$V_I = 10.5A$ to $25V$					0.5	1.0	
			$V_I = 11.5V$ to $25V$		0.5	1.0				
Output Voltage Drift	$\Delta V_O / \Delta T$	$I_O = 5mA$		-0.8			-0.8		mV/ $^\circ C$	
Output Voltage Voltage	V_N	$f = 10Hz$ to $100KHz$, $T_A = 25^\circ C$		52			52		μV	
Ripple Rejection	RR	$f = 120Hz$, $V_I = 11.5V$ to 21.5	56	73		56	73		dB	
Dropout Voltage	V_D	$I_O = 1A$, $T_J = 25^\circ C$		2			2		V	
Output Resistance	R_O	$f = 1KHz$		17			17		$m\Omega$	
Short Circuit Current	I_{SC}	$V_I = 35V$, $T_A = 25^\circ C$		230			230		mA	
Peak Current	I_{PK}	$T_J = 25^\circ C$		2.2			2.2		A	

KA7809/I ELECTRICAL CHARACTERISTICS

(Refer to test circuit. $T_{MIN} < T_J < T_{MAX}$, $I_O = 500mA$, $V_I = 15V$, $C_I = 0.33 \mu F$, $C_O = 0.1 \mu F$, unless otherwise specified)

Characteristic	Symbol	Test Conditions	KA7809I			KA7809			Unit	
			Min	Typ	Max	Min	Typ	Max		
Output Voltage	V_O	$T_J = 25^\circ C$	8.65	9	9.35	8.65	9	9.35	V	
		$5.0mA \leq I_O \leq 1.0A$, $P_D \leq 15W$ $V_I = 11.5V$ to $24V$ $V_I = 12.5V$ to $24V$	8.6	9	9.4	8.6	9	9.4		
Line Regulation	ΔV_O	$T_J = 25^\circ C$	$V_I = 11.5V$ to $25V$		6	180		6	180	mV
			$V_I = 12V$ to $25V$		2	90		2	90	
Load Regulation	ΔV_O	$T_J = 25^\circ C$	$I_O = 5mA$ to $1.5A$		12	180		12	180	mV
			$I_O = 250mA$ to $750mA$		4	90		4	90	
Quiescent Current	I_Q	$T_J = 25^\circ C$		5.0	8		5.0	8	mA	
Quiescent Current Change	ΔI_Q	$T_J = 25^\circ C$	$I_O = 5mA$ to $1.0A$			0.5		0.5	mA	
			$V_I = 11.5V$ to $26V$					1.3		
			$V_I = 12.5V$ to $26V$			1.3				
Output Voltage Drift	$\Delta V_O / \Delta T$	$I_O = 5mA$		-1			-1		mV/°C	
Output Noise Voltage	V_N	$f = 10Hz$ to $100KHz$, $T_A = 25^\circ C$		58			58		μV	
Ripple Rejection	RR	$f = 120Hz$ $V_I = 13V$ to $23V$	56	71		56	71		dB	
Dropout Voltage	V_D	$I_O = 1A$, $T_J = 25^\circ C$		2			2		V	
Output Resistance	R_O	$f = 1KHz$		17			17		$m\Omega$	
Short Circuit Current	I_{SC}	$V_I = 35V$, $T_A = 25^\circ C$		250			250		mA	
Peak Current	I_{PK}	$T_J = 25^\circ C$		2.2			2.2		A	

KA7810/I ELECTRICAL CHARACTERISTICS

(Refer to test circuit, $T_{MIN} < T_J < T_{MAX}$, $I_o = 500mA$, $V_i = 16V$, $C_i = 0.33 \mu F$, $C_o = 0.1 \mu F$, unless otherwise specified)

Characteristic	Symbol	Test Conditions	KA7810I			KA7810			Unit
			Min	Typ	Max	Min	Typ	Max	
Output Voltage	V_o	$T_J = 25^\circ C$	9.6	10	10.4	9.6	10	10.4	V
		$5.0mA \leq I_o \leq 1.0A$, $P_o \leq 15W$ $V_i = 12.5V$ to $25V$ $V_i = 13.5V$ to $25V$	9.5	10	10.5	9.5	10	10.5	
Line Regulation	ΔV_o	$T_J = 25^\circ C$	$V_i = 12.5V$ to $25V$	10	200	10	200	mV	
			$V_i = 13V$ to $25V$	3	100	3	100		
Load Regulation	ΔV_o	$T_J = 25^\circ C$	$I_o = 5mA$ to $1.5A$	12	200	12	200	mV	
			$I_o = 250mA$ to $750mA$	4	400	4	400		
Quiescent Current	I_o	$T_J = 25^\circ C$		5.1	8	5.1	8	mA	
Quiescent Current Change	ΔI_o		$I_o = 5mA$ to $1.0A$		0.5		0.5	mA	
			$V_i = 12.5V$ to $29V$				1.0		
			$V_i = 13.5V$ to $29V$		1.0				
Output Voltage Drift	$\Delta V_o / \Delta T$	$I_o = 5mA$		-1		-1		mV/ $^\circ C$	
Output Noise Voltage	V_N	$f = 10Hz$ to $100KHz$, $T_A = 25^\circ C$		58		58		μV	
Ripple Rejection	RR	$f = 120Hz$ $V_i = 13V$ to $23V$	56	71		56	71	dB	
Dropout Voltage	V_D	$I_o = 1A$, $T_J = 25^\circ C$		2		2		V	
Output Resistance	R_o	$f = 1KHz$		17		17		m Ω	
Short Circuit Current	I_{SC}	$V_i = 35V$, $T_A = 25^\circ C$		250		250		mA	
Peak Current	I_{PK}	$T_J = 25^\circ C$		2.2		2.2		A	

KA7811/I ELECTRICAL CHARACTERISTICS

(Refer to test circuit, $T_{MIN} < T_J < T_{MAX}$, $I_O = 500mA$, $V_I = 18V$, $C_I = 0.33\mu F$, $C_O = 0.1\mu F$, unless otherwise specified)

Characteristic	Symbol	Test Conditions	KA7810I			KA7810			Unit
			Min	Typ	Max	Min	Typ	Max	
Output Voltage	V_O	$T_J = 25^\circ C$	10.6	11	11.4	10.6	10	10.4	V
		$5.0mA \leq I_O \leq 1.0A$, $P_O \leq 15W$ $V_I = 13.5V$ to $26V$ $V_I = 14.5V$ to $26V$	10.5	11	11.5	10.5	10	10.5	
Line Regulation	ΔV_O	$T_J = 25^\circ C$	$V_I = 13.5V$ to $25V$	10	200		10	220	mV
			$V_I = 14V$ to $21V$	3.0	110		3	110	
Load Regulation	ΔV_O	$T_J = 25^\circ C$	$I_O = 5.0mA$ to $1.5A$	12	220		12	220	mV
			$I_O = 250mA$ to $750mA$	4	110		4	110	
Quiescent Current	I_O	$T_J = 25^\circ C$		5.1	8		5.1	8	mA
Quiescent Current Change	ΔI_O	$T_J = 25^\circ C$	$I_O = 5mA$ to $1.0A$		0.5			0.5	mA
			$V_I = 13.5V$ to $29V$					1.0	
			$V_I = 14.5V$ to $29V$		1.0				
Output Voltage Drift	$\Delta V_O / \Delta T$	$I_O = 5mA$		-1			-1		mV/ $^\circ C$
Output Noise Voltage	V_N	$f = 10Hz$ to $100KHz$, $T_A = 25^\circ C$		58			58		μV
Ripple Rejection	RR	$f = 120Hz$ $V_I = 14V$ to $24V$	55	71		55	71		dB
Dropout Voltage	V_D	$I_O = 1A$, $T_J = 25^\circ C$		2			2		V
Output Resistance	R_O	$f = 1KHz$		18			18		$m\Omega$
Short Circuit Current	I_{SC}	$V_I = 35V$, $T_A = 25^\circ C$		250			250		mA
Peak Current	I_{PK}	$T_J = 25^\circ C$		2.2			2.2		A

KA7812/I ELECTRICAL CHARACTERISTICS

(Refer to test circuit, $T_{MIN} < T_J < T_{MAX}$, $I_O = 500mA$, $V_I = 19V$, $C_I = 0.33 \mu F$, $C_O = 0.1 \mu F$, unless otherwise specified)

Characteristic	Symbol	Test Conditions	KA7810I			KA7810			Unit	
			Min	Typ	Max	Min	Typ	Max		
Output Voltage	V_O	$T_J = 25^\circ C$	11.5	12	12.5	11.5	12	12.5	V	
		$5.0mA \leq I_O \leq 1.0A$, $P_D \leq 15W$ $V_I = 14.5V$ to $27V$ $V_I = 15.5V$ to $27V$	11.4	12	12.6	11.4	12	12.6		
Line Regulation	ΔV_O	$T_J = 25^\circ C$	$V_I = 14.5V$ to $30V$		10	240		10	240	mV
			$V_I = 16V$ to $22V$		3.0	120		3.0	120	
Load Regulation	ΔV_O	$T_J = 25^\circ C$	$I_O = 5mA$ to $1.5A$		11	240		11	240	mV
			$I_O = 250mA$ to $750mA$		5.0	120		5.0	120	
Quiescent Current	I_Q	$T_J = 25^\circ C$		5.1	8		5.1	8	mA	
Quiescent Current Change	ΔI_Q		$I_O = 5mA$ to $1.0A$		0.1	0.5		0.1	0.5	mA
			$V_I = 14.5V$ to $30V$					0.5	1.0	
			$V_I = 15V$ to $30V$			1.0				
Output Voltage Drift	$\Delta V_O / \Delta T$	$I_O = 5mA$		-1			-1		mV/ $^\circ C$	
Output Noise Voltage	V_N	$f = 10Hz$ to $100KHz$, $T_A = 25^\circ C$		76			76		μV	
Ripple Rejection	RR	$f = 120Hz$ $V_I = 15V$ to $25V$	55	71		55	71		dB	
Dropout Voltage	V_D	$I_O = 1A$, $T_J = 25^\circ C$		2			2		V	
Output Resistance	R_O	$f = 1KHz$		18			18		$m\Omega$	
Short Circuit Current	I_{SC}	$V_I = 35V$, $T_A = 25^\circ C$		230			230		mA	
Peak Current	I_{PK}	$T_J = 25^\circ C$		2.2			2.2		A	

KA7815/I ELECTRICAL CHARACTERISTICS

(Refer to test circuit, $T_{MIN} < T_J < T_{MAX}$, $I_o = 500mA$, $V_i = 23V$, $C_i = 0.33\mu F$, $C_o = 0.1\mu F$, unless otherwise specified)

Characteristic	Symbol	Test Conditions	KA7810I			KA7810			Unit
			Min	Typ	Max	Min	Typ	Max	
Output Voltage	V_o	$T_J = 25^\circ C$	14.4	15	15.6	14.4	15	15.6	V
		$5.0mA \leq I_o \leq 1.0A$, $P_D \leq 15W$ $V_i = 17.5V$ to $30V$ $V_i = 18.5V$ to $30V$	14.25	15	15.75	14.25	15	15.75	
Line Regulation	ΔV_o	$T_J = 25^\circ C$	$V_i = 17.5V$ to $30V$	11	300	11	300	mV	
			$V_i = 20V$ to $26V$	3	150	3	150		
Load Regulation	ΔV_o	$T_J = 25^\circ C$	$I_o = 5mA$ to $1.5A$	12	300	12	300	mV	
			$I_o = 250mA$ to $750mA$	4	150	4	150		
Quiescent Current	I_o	$T_J = 25^\circ C$		5.2	8	5.2	8	mA	
Quiescent Current Change	ΔI_o	$T_J = 25^\circ C$	$I_o = 5mA$ to $1.0A$		0.5		0.5	mA	
			$V_i = 17.5V$ to $30V$				1.0		
			$V_i = 18.5V$ to $30V$		1.0				
Output Voltage Drift	$\Delta V_o / \Delta T$	$I_o = 5mA$		-1		-1		mV/ $^\circ C$	
Output Noise Voltage	V_N	$f = 10Hz$ to $100KHz$, $T_A = 25^\circ C$		90		90		μV	
Ripple Rejection	RR	$f = 120Hz$ $V_i = 18.5V$ to $28.5V$	54	70	54	70		dB	
Dropout Voltage	V_D	$I_o = 1A$, $T_J = 25^\circ C$		2		2		V	
Output Resistance	R_o	$f = 1KHz$		19		19		m Ω	
Short Circuit Current	I_{sc}	$V_i = 35V$, $T_A = 25^\circ C$		250		250		mA	
Peak Current	I_{PK}	$T_J = 25^\circ C$		2.2		2.2		A	

KA7818/I ELECTRICAL CHARACTERISTICS

(Refer to test circuit, $T_{MIN} < T_J < T_{MAX}$, $I_O = 500mA$, $V_I = 27V$, $C_I = 0.33 \mu F$, $C_O = 0.1 \mu F$, unless otherwise specified)

Characteristic	Symbol	Test Conditions	KA7810I			KA7810			Unit	
			Min	Typ	Max	Min	Typ	Max		
Output Voltage	V_O	$T_J = 25^\circ C$	17.3	18	18.7	17.3	18	18.7	V	
		$5.0mA \leq I_O \leq 1.0A$, $P_O \leq 15W$ $V_I = 21V$ to 33V $V_I = 22V$ to 33V	17.1	18	18.9	17.1	18	18.9		
Line Regulation	ΔV_O	$T_J = 25^\circ C$	$V_I = 21V$ to 33V		15	360		15	360	mV
			$V_I = 24V$ to 30V		5	180		5	180	
Load Regulation	ΔV_O	$T_J = 25^\circ C$	$I_O = 5mA$ to 1.5A		15	360		15	360	mV
			$I_O = 250mA$ to 750mA		5.0	180		5.0	180	
Quiescent Current	I_Q	$T_J = 25^\circ C$		5.2	8		5.2	8	mA	
Quiescent Current Change	ΔI_Q	$I_O = 5mA$ to 1.0A			0.5			0.5	mA	
		$V_I = 21V$ to 33V						1		
		$V_I = 22V$ to 33V			1.0					
Output Voltage Drift	$\Delta V_O / \Delta T$	$I_O = 5mA$		-1			-1		mV/°C	
Output Noise Voltage	V_N	$f = 10Hz$ to 100KHz, $T_A = 25^\circ C$		110			110		μV	
Ripple Rejection	RR	$f = 120Hz$ $V_I = 22V$ to 32V	53	69		53	69		dB	
Dropout Voltage	V_D	$I_O = 1A$, $T_J = 25^\circ C$		2			2		V	
Output Resistance	R_O	$f = 1KHz$		22			22		$m\Omega$	
Short Circuit Current	I_{SC}	$V_I = 35V$, $T_A = 25^\circ C$		250			250		mA	
Peak Current	I_{PK}	$T_J = 25^\circ C$		2.2			2.2		A	

4

KA7824/I ELECTRICAL CHARACTERISTICS

(Refer to test circuit, $T_{MIN} < T_J < T_{MAX}$, $I_O = 500mA$, $V_I = 33V$, $C_I = 0.33\mu F$, $C_O = 0.1\mu F$, unless otherwise specified)

Characteristic	Symbol	Test Conditions	KA7810I			KA7810			Unit	
			Min	Typ	Max	Min	Typ	Max		
Output Voltage	V_O	$T_J = 25^\circ C$	23	24	25	23	24	25	V	
		$5.0mA \leq I_O \leq 1.0A$, $P_O \leq 15W$ $V_I = 27V$ to $38V$ $V_I = 28V$ to $38V$	22.8	24	25.2	22.8	24	25.25		
Line Regulation	ΔV_O	$T_J = 25^\circ C$	$V_I = 27V$ to $38V$		17	480		17	480	mV
			$V_I = 30V$ to $36V$		6	240		6	240	
Load Regulation	ΔV_O	$T_J = 25^\circ C$	$I_O = 5mA$ to $1.5A$		15	480		15	480	mV
			$I_O = 250mA$ to $750mA$		5.0	240		5.0	240	
Quiescent Current	I_Q	$T_J = 25^\circ C$		5.2	8		5.2	8	mA	
Quiescent Current Change	ΔI_Q	$T_J = 25^\circ C$	$I_O = 5mA$ to $1.0A$		0.1	0.5		0.1	0.5	mA
			$V_I = 27V$ to $38V$					0.5	1	
			$V_I = 28V$ to $38V$		0.5	1				
Output Voltage Drift	$\Delta V_O / \Delta T$	$I_O = 5mA$		-1.5			-1.5		mV/ $^\circ C$	
Output Noise Voltage	V_N	$f = 10Hz$ to $100KHz$, $T_A = 25^\circ C$		160			58		μV	
Ripple Rejection	RR	$f = 120Hz$ $V_I = 28V$ to $38V$	50	67		50	67		dB	
Dropout Voltage	V_D	$I_O = 1A$, $T_J = 25^\circ C$		2			2		V	
Output Resistance	R_O	$f = 1KHz$		28			28		$m\Omega$	
Short Circuit Current	I_{SC}	$V_I = 35V$, $T_A = 25^\circ C$		230			230		mA	
Peak Current	I_{PK}	$T_J = 25^\circ C$		2.2			2.2		A	

KA7805A ELECTRICAL CHARACTERISTICS

(Refer to the test circuits. $T_J = 0$ to 125°C , $I_o = 1\text{A}$, $V_i = 10\text{V}$, $C_1 = 0.33\mu\text{F}$, $C_o = 0.1\mu\text{F}$, unless otherwise specified)

Characteristic	Symbol	Test Conditions	Min	Typ	Max	Unit	
Output Voltage	V_o	$T_J = 25^\circ\text{C}$	4.9	5	5.1	V	
		$I_o = 5\text{mA}$ to 1A , $P_D \leq 15\text{W}$ $V_i = 7.5$ to 20V	4.8	5	5.2		
• Line Regulation	ΔV_o	$V_i = 7.5$ to 25V $I_o = 500\text{mA}$		5	50	V	
		$V_i = 8\text{V}$ to 12V		3	50		
		$T_J = 25^\circ\text{C}$	$V_i = 7.3\text{V}$ to 25V		5		50
			$V_i = 8\text{V}$ to 12V		1.5		25
• Load Regulation	ΔV_o	$T_J = 25^\circ\text{C}$ $I_o = 5\text{mA}$ to 1.5A		9	100	V	
		$I_o = 5\text{mA}$ to 1A		9	100		
		$I_o = 250$ to 750mA		4	50		
Quiescent Current	I_q	$T_J = 25^\circ\text{C}$		5.0	6	mA	
Quiescent Current Change	ΔI_q	$I_o = 5\text{mA}$ to 1A			0.5	mA	
		$V_i = 8\text{V}$ to 25V , $I_o = 500\text{mA}$			0.8		
		$V_i = 7.5\text{V}$ to 20V , $T_J = 25^\circ\text{C}$			0.8		
Output Voltage Drift	$\frac{\Delta V_o}{\Delta T}$	$I_o = 5\text{mA}$		-0.8		mV/ $^\circ\text{C}$	
Output Noise Voltage	V_N	$f = 10\text{Hz}$ to 100KHz $T_A = 25^\circ\text{C}$		10		$\frac{\mu\text{V}}{V_o}$	
Ripple Rejection	RR	$f = 120\text{Hz}$, $I_o = 500\text{mA}$ $V_i = 8\text{V}$ to 18V		68		dB	
Dropout Voltage	V_D	$I_o = 1\text{A}$, $T_J = 25^\circ\text{C}$		2		V	
Output Resistance	R_o	$f = 1\text{KHz}$		17		m Ω	
Short Circuit Current	I_{sc}	$V_i = 35\text{V}$, $T_A = 25^\circ\text{C}$		250		mA	
Peak Current	I_{PK}	$T_J = 25^\circ\text{C}$		2.2		A	

KA7806A ELECTRICAL CHARACTERISTICS

(Refer to the test circuits. $T_J = 0$ to 150°C , $I_o = 1\text{A}$, $V_I = 11\text{V}$, $C_1 = 0.33\mu\text{F}$, $C_o = 0.1\mu\text{F}$, unless otherwise specified)

Characteristic	Symbol	Test Conditions	Min	Typ	Max	Unit
Output Voltage	V_o	$T_J = 25^\circ\text{C}$	5.58	6	6.12	V
		$I_o = 5\text{mA}$ to 1A , $P_D \leq 15\text{W}$ $V_I = 8.6$ to 21V	5.76	6	6.24	
• Line Regulation	ΔV_o	$V_I = 8.6$ to 25V $I_o = 500\text{mA}$		5	60	mV
		$V_I = 9\text{V}$ to 13V		3	60	
		$T_J = 25^\circ\text{C}$	$V_I = 8.3\text{V}$ to 21V $V_I = 9\text{V}$ to 13V		5 1.5	
• Load Regulation	ΔV_o	$T_J = 25^\circ\text{C}$ $I_o = 5\text{mA}$ to 1.5A		9	100	mV
		$I_o = 5\text{mA}$ to 1A		4	100	
		$I_o = 250$ to 750mA		5.0	50	
Quiescent Current	I_o	$T_J = 25^\circ\text{C}$		4.3	6	mA
Quiescent Current Change	ΔI_o	$I_o = 5\text{mA}$ to 1A			0.5	mA
		$V_I = 9\text{V}$ to 25V , $I_o = 500\text{mA}$			0.8	
		$V_I = 8.5\text{V}$ to 21V , $T_J = 25^\circ\text{C}$			0.8	
Output Voltage Drift	$\frac{\Delta V_o}{\Delta T}$	$I_o = 5\text{mA}$		-0.8		mV/ $^\circ\text{C}$
Output Noise Voltage	V_N	$f = 10\text{Hz}$ to 100KHz $T_A = 25^\circ\text{C}$		10		$\frac{\mu\text{V}}{V_o}$
Ripple Rejection	RR	$f = 120\text{Hz}$, $I_o = 500\text{mA}$ $V_I = 9\text{V}$ to 19V		65		dB
Dropout Voltage	V_D	$I_o = 1\text{A}$, $T_J = 25^\circ\text{C}$		2		V
Output Resistance	R_o	$f = 1\text{KHz}$		17		m Ω
Short Circuit Current	I_{sc}	$V_I = 35\text{V}$, $T_A = 25^\circ\text{C}$		250		mA
Peak Current	I_{PK}	$T_J = 25^\circ\text{C}$		2.2		A

KA7808A ELECTRICAL CHARACTERISTICS

(Refer to the test circuits. $T_J = 0$ to 150°C , $I_o = 1\text{A}$, $V_i = 14\text{V}$, $C_1 = 0.33\mu\text{F}$, $C_o = 0.1\mu\text{F}$, unless otherwise specified)

Characteristic	Symbol	Test Conditions	Min	Typ	Max	Unit	
Output Voltage	V_o	$T_J = 25^\circ\text{C}$	7.84	8	8.16	V	
		$I_o = 5\text{mA}$ to 1A , $P_o \leq 15\text{W}$ $V_i = 8.6$ to 21V	7.7	8	8.3		
• Line Regulation	ΔV_o	$V_i = 10.6$ to 25V $I_o = 500\text{mA}$		6	80	mV	
		$V_i = 11$ to 17V		3	80		
		$T_J = 25^\circ\text{C}$	$V_i = 10.4\text{V}$ to 23V		6		80
			$V_i = 11\text{V}$ to 17V		2		40
• Load Regulation	ΔV_o	$T_J = 25^\circ\text{C}$ $I_o = 5\text{mA}$ to 1.5A		12	100	mV	
		$I_o = 5\text{mA}$ to 1A		12	100		
		$I_o = 250$ to 750mA		5	50		
Quiescent Current	I_o	$T_J = 25^\circ\text{C}$		5.0	6	mA	
Quiescent Current Change	ΔI_o	$I_o = 5\text{mA}$ to 1A			0.5	mA	
		$V_i = 11\text{V}$ to 25V , $I_o = 500\text{mA}$			0.8		
		$V_i = 10.6\text{V}$ to 23V , $T_J = 25^\circ\text{C}$			0.8		
Output Voltage Drift	$\frac{\Delta V_o}{\Delta T}$	$I_o = 5\text{mA}$		-0.8		mV/ $^\circ\text{C}$	
Output Noise Voltage	V_N	$f = 10\text{Hz}$ to 100KHz $T_A = 25^\circ\text{C}$		10		$\frac{\mu\text{V}}{V_o}$	
Ripple Rejection	RR	$f = 120\text{Hz}$, $I_o = 500\text{mA}$ $V_i = 11.5\text{V}$ to 21.5V		62		dB	
Dropout Voltage	V_D	$I_o = 1\text{A}$, $T_J = 25^\circ\text{C}$		2			
Output Resistance	R_o	$f = 1\text{KHz}$		18		$\text{m}\Omega$	
Short Circuit Current	I_{sc}	$V_i = 35\text{V}$, $T_A = 25^\circ\text{C}$		250		mA	
Peak Current	I_{PK}	$T_J = 25^\circ\text{C}$		2.2		A	

KA7809A ELECTRICAL CHARACTERISTICS

(Refer to the test circuits. $T_J = 0$ to 125°C , $I_o = 1\text{A}$, $V_i = 15\text{V}$, $C_1 = 0.33\mu\text{F}$, $C_o = 0.1\mu\text{F}$, unless otherwise specified)

Characteristic	Symbol	Test Conditions	Min	Typ	Max	Unit	
Output Voltage	V_o	$T_J = 25^\circ\text{C}$	8.82	9.0	9.18	V	
		$I_o = 5\text{mA}$ to 1A , $P_D \leq 15\text{W}$ $V_i = 11.2$ to 24V	8.65	9.0	9.35		
• Line Regulation	ΔV_o	$V_i = 11.7$ to 25V $I_o = 500\text{mA}$		6	90	mV	
		$V_i = 12.5$ to 19V		4	45		
		$T_J = 25^\circ\text{C}$	$V_i = 11.5\text{V}$ to 24V		6		89
			$V_i = 12.5\text{V}$ to 19V		2		45
• Load Regulation	ΔV_o	$T_J = 25^\circ\text{C}$ $I_o = 5\text{mA}$ to 1.0A		12	100	mV	
		$I_o = 5\text{mA}$ to 1.0A		12	100		
		$I_o = 250$ to 750mA		5	50		
Quiescent Current	I_o	$T_J = 25^\circ\text{C}$		5.0	6.0	mA	
Quiescent Current Change	ΔI_o	$V_i = 11.7\text{V}$ to 25V , $T_J = 25^\circ\text{C}$			0.8	mA	
		$V_i = 12\text{V}$ to 25V , $I_o = 500\text{mA}$			0.8		
		$I_o = 5\text{mA}$ to 1.0A			0.5		
Output Voltage Drift	$\frac{\Delta V_o}{\Delta T}$	$I_o = 5\text{mA}$		-0.8		mV $^\circ\text{C}$	
Output Noise Voltage	V_N	$f = 10\text{Hz}$ to 100KHz $T_A = 25^\circ\text{C}$		10		$\frac{\mu\text{V}}{V_o}$	
Ripple Rejection	RR	$f = 120\text{Hz}$, $I_o = 500\text{mA}$ $V_i = 12\text{V}$ to 22V		62		dB	
Dropout Voltage	V_D	$I_o = 1\text{A}$, $T_J = 25^\circ\text{C}$		2.0			
Output Resistance	R_o	$f = 1\text{KHz}$		17		m Ω	
Short Circuit Current	I_{sc}	$V_i = 35\text{V}$, $T_A = 25^\circ\text{C}$		250		mA	
Peak Current	I_{PK}	$T_J = 25^\circ\text{C}$		2.2		A	

KA7810A ELECTRICAL CHARACTERISTICS

(Refer to the test circuits. $T_J = 0$ to 125°C , $I_o = 1\text{A}$, $V_i = 16\text{V}$, $C_1 = 0.33\mu\text{F}$, $C_o = 0.1\mu\text{F}$, unless otherwise specified)

Characteristic	Symbol	Test Conditions	Min	Typ	Max	Unit	
Output Voltage	V_o	$T_J = 25^\circ\text{C}$	9.8	10	10.2	V	
		$I_o = 5\text{mA}$ to 1A , $P_D \leq 15\text{W}$ $V_i = 12.8$ to 25V	9.6	10	10.4		
• Line Regulation	ΔV_o	$V_i = 12.8$ to 26V $I_o = 500\text{mA}$		8	100	mV	
		$V_i = 13$ to 20V		4	50		
		$T_J = 25^\circ\text{C}$	$V_i = 12.5\text{V}$ to 25V		8		100
			$V_i = 13\text{V}$ to 20V		3		50
• Load Regulation	ΔV_o	$T_J = 25^\circ\text{C}$ $I_o = 5\text{mA}$ to 1.5A		12	100	mV	
		$I_o = 5\text{mA}$ to 1.0A		12	100		
		$I_o = 250$ to 750mA		5	50		
Quiescent Current	I_o	$T_J = 25^\circ\text{C}$		5.0	6.0	mA	
Quiescent Current Change	ΔI_o	$V_i = 13\text{V}$ to 26V , $T_J = 25^\circ\text{C}$			0.5	mA	
		$V_i = 12.8\text{V}$ to 25V , $I_o = 500\text{mA}$			0.8		
		$I_o = 5\text{mA}$ to 1.0A			0.5		
Output Voltage Drift	$\frac{\Delta V_o}{\Delta T}$	$I_o = 5\text{mA}$		-1.0		mV $^\circ\text{C}$	
Output Noise Voltage	V_N	$f = 10\text{Hz}$ to 100KHz $T_A = 25^\circ\text{C}$		10		$\frac{\mu\text{V}}{V_o}$	
Ripple Rejection	RR	$f = 120\text{Hz}$, $I_o = 500\text{mA}$ $V_i = 14\text{V}$ to 24V		62		dB	
Dropout Voltage	V_D	$I_o = 1\text{A}$, $T_J = 25^\circ\text{C}$		2.0			
Output Resistance	R_o	$f = 1\text{KHz}$		17		m Ω	
Short Circuit Current	I_{sc}	$V_i = 35\text{V}$, $T_A = 25^\circ\text{C}$		250		mA	
Peak Current	I_{PK}	$T_J = 25^\circ\text{C}$		2.2		A	

KA7811A ELECTRICAL CHARACTERISTICS

(Refer to the test circuits. $T_J = 0$ to 125°C , $I_o = 1\text{A}$, $V_I = 18\text{V}$, $C_I = 0.33\ \mu\text{F}$, $C_O = 0.1\ \mu\text{F}$, unless otherwise specified)

Characteristic	Symbol	Test Conditions	Min	Typ	Max	Unit
Output Voltage	V_o	$T_J = 25^\circ\text{C}$	10.8	11.0	11.2	V
		$I_o = 5\text{mA}$ to 1A , $P_o \leq 15\text{W}$ $V_I = 13.8$ to 26V	10.6	11.0	11.4	
• Line Regulation	ΔV_o	$V_I = 12.8$ to 26V $I_o = 500\text{mA}$		10	110	mV
		$V_I = 15$ to 21V		4	55	
		$T_J = 25^\circ\text{C}$	$V_I = 13.5\text{V}$ to 26V $V_I = 15\text{V}$ to 21V		3	
• Load Regulation	ΔV_o	$T_J = 25^\circ\text{C}$ $I_o = 5\text{mA}$ to 1.5A		12	100	mV
		$I_o = 5\text{mA}$ to 1.0A		12	100	
		$I_o = 250$ to 750mA		5	50	
Quiescent Current	I_o	$T_J = 25^\circ\text{C}$		5.1	6.0	mA
Quiescent Current Change	ΔI_o	$V_I = 13.8\text{V}$ to 26V , $T_J = 25^\circ\text{C}$			6.0	mA
		$V_I = 14\text{V}$ to 27V , $I_o = 500\text{mA}$			0.8	
		$I_o = 5\text{mA}$ to 1.0A			0.5	
Output Voltage Drift	$\Delta V_o/\Delta T$	$I_o = 5\text{mA}$		-1.0		mV/°C
Output Noise Voltage	V_N	$f = 10\text{Hz}$ to 100KHz $T_A = 25^\circ\text{C}$		10		$\mu\text{V}/V_o$
Ripple Rejection	RR	$f = 120\text{Hz}$, $I_o = 500\text{mA}$ $V_I = 14\text{V}$ to 24V		62		dB
Dropout Voltage	V_D	$I_o = 1\text{A}$, $T_J = 25^\circ\text{C}$		2.0		
Output Resistance	R_o	$f = 1\text{KHz}$		17		m Ω
Short Circuit Current	I_{sc}	$V_I = 35\text{V}$, $T_A = 25^\circ\text{C}$		250		mA
Peak Current	I_{PK}	$T_J = 25^\circ\text{C}$		2.2		A

KA7812A ELECTRICAL CHARACTERISTICS

(Refer to the test circuits. $T_J = 0$ to 125°C , $I_o = 1\text{A}$, $V_i = 19\text{V}$, $C_1 = 0.33\mu\text{F}$, $C_o = 0.1\mu\text{F}$, unless otherwise specified)

Characteristic	Symbol	Test Conditions	Min	Typ	Max	Unit
Output Voltage	V_o	$T_J = 25^\circ\text{C}$	11.75	12	12.25	V
		$I_o = 5\text{mA to } 1\text{A}$, $P_D \leq 15\text{W}$ $V_i = 14.8\text{ to } 27\text{V}$	11.5	12	12.5	
• Line Regulation	ΔV_o	$V_i = 14.8\text{ to } 30\text{V}$ $I_o = 500\text{mA}$		10	120	mV
		$V_i = 16\text{ to } 22\text{V}$		4	120	
		$T_J = 25^\circ\text{C}$	$V_i = 14.5\text{V to } 27\text{V}$ $V_i = 16\text{V to } 22\text{V}$		10 3	
• Load Regulation	ΔV_o	$T_J = 25^\circ\text{C}$ $I_o = 5\text{mA to } 1.5\text{A}$		12	100	mV
		$I_o = 5\text{mA to } 1.0\text{A}$		12	100	
		$I_o = 250\text{ to } 750\text{mA}$		5	50	
Quiescent Current	I_q	$T_J = 25^\circ\text{C}$		5.1	6.0	mA
Quiescent Current Change	ΔI_q	$V_i = 15\text{V to } 30\text{V}$, $T_J = 25^\circ\text{C}$			6.0	mA
		$V_i = 14\text{V to } 27\text{V}$, $I_o = 500\text{mA}$			0.8	
		$I_o = 5\text{mA to } 1.0\text{A}$			0.5	
Output Voltage Drift	$\Delta V_o/\Delta T$	$I_o = 5\text{mA}$		-1.0		mV/°C
Output Noise Voltage	V_N	$f = 10\text{Hz to } 100\text{KHz}$ $T_A = 25^\circ\text{C}$		10		$\mu\text{V}/V_o$
Ripple Rejection	RR	$f = 120\text{Hz}$, $I_o = 500\text{mA}$ $V_i = 14\text{V to } 24\text{V}$		60		dB
Dropout Voltage	V_D	$I_o = 1\text{A}$, $T_J = 25^\circ\text{C}$		2.0		
Output Resistance	R_o	$f = 1\text{KHz}$		17		m Ω
Short Circuit Current	I_{sc}	$V_i = 35\text{V}$, $T_A = 25^\circ\text{C}$		250		mA
Peak Current	I_{PK}	$T_J = 25^\circ\text{C}$		2.2		A

KA7815A ELECTRICAL CHARACTERISTICS

(Refer to the test circuits. $T_J = 0$ to 150°C , $I_o = 1\text{A}$, $V_i = 23\text{V}$, $C_i = 0.33\mu\text{F}$, $C_o = 0.1\mu\text{F}$, unless otherwise specified)

Characteristic	Symbol	Test Conditions	Min	Typ	Max	Unit
Output Voltage	V_o	$T_J = 25^\circ\text{C}$	14.7	15	15.3	V
		$I_o = 5\text{mA to } 1\text{A}$, $P_D \leq 15\text{W}$ $V_i = 17.7\text{ to } 30\text{V}$	14.4	15	15.6	
• Line Regulation	ΔV_o	$V_i = 17.9\text{ to } 30\text{V}$ $I_o = 500\text{mA}$		10	150	mV
		$V_i = 20\text{ to } 26\text{V}$		5	150	
		$T_J = 25^\circ\text{C}$	$V_i = 17.5\text{V to } 30\text{V}$		11	
		$V_i = 20\text{V to } 26\text{V}$		3	75	
• Load Regulation	ΔV_o	$T_J = 25^\circ\text{C}$ $I_o = 5\text{mA to } 1.5\text{A}$		12	100	mV
		$I_o = 5\text{mA to } 1.0\text{A}$		12	100	
		$I_o = 250\text{ to } 750\text{mA}$		5	50	
Quiescent Current	I_o	$T_J = 25^\circ\text{C}$		5.2	6.0	mA
Quiescent Current Change	ΔI_o	$V_i = 17.5\text{V to } 30\text{V}$, $T_J = 25^\circ\text{C}$			0.5	mA
		$V_i = 17.5\text{V to } 30\text{V}$, $I_o = 500\text{mA}$			0.8	
		$I_o = 5\text{mA to } 1.0\text{A}$			0.8	
Output Voltage Drift	$\Delta V_o/\Delta T$	$I_o = 5\text{mA}$		-1.0		mV/°C
Output Noise Voltage	V_N	$f = 10\text{Hz to } 100\text{KHz}$ $T_A = 25^\circ\text{C}$		10		$\mu\text{V}/V_o$
Ripple Rejection	RR	$f = 120\text{Hz}$, $I_o = 500\text{mA}$ $V_i = 18.5\text{V to } 28.5\text{V}$		58		dB
Dropout Voltage	V_D	$I_o = 1\text{A}$, $T_J = 25^\circ\text{C}$		2.0		
Output Resistance	R_o	$f = 1\text{KHz}$		19		m Ω
Short Circuit Current	I_{sc}	$V_i = 35\text{V}$, $T_A = 25^\circ\text{C}$		250		mA
Peak Current	I_{pk}	$T_J = 25^\circ\text{C}$		2.2		A

KA7818A ELECTRICAL CHARACTERISTICS

(Refer to the test circuits. $T_J = 0$ to 150°C , $I_o = 1\text{A}$, $V_i = 27\text{V}$, $C_1 = 0.33\mu\text{F}$, $C_o = 0.1\mu\text{F}$, unless otherwise specified)

Characteristic	Symbol	Test Conditions	Min	Typ	Max	Unit
Output Voltage	V_o	$T_J = 25^\circ\text{C}$	17.64	18	18.36	V
		$I_o = 5\text{mA to } 1\text{A}$, $P_D \leq 15\text{W}$ $V_i = 21\text{ to } 33\text{V}$	17.3	18	18.7	
• Line Regulation	ΔV_o	$V_i = 21\text{ to } 33\text{V}$ $I_o = 500\text{mA}$		15	180	mV
		$V_i = 21\text{ to } 33\text{V}$		5	180	
		$T_J = 25^\circ\text{C}$ $V_i = 20.6\text{V to } 33\text{V}$		15	180	
		$V_i = 24\text{V to } 30\text{V}$		5	90	
• Load Regulation	ΔV_o	$T_J = 25^\circ\text{C}$ $I_o = 5\text{mA to } 1.5\text{A}$		15	100	mV
		$I_o = 5\text{mA to } 1.0\text{A}$		15	100	
		$I_o = 250\text{ to } 750\text{mA}$		7	50	
Quiescent Current	I_q	$T_J = 25^\circ\text{C}$		5.2	6.0	mA
Quiescent Current Change	ΔI_q	$V_i = 21\text{V to } 33\text{V}$, $T_J = 25^\circ\text{C}$			0.5	mA
		$V_i = 21\text{V to } 33\text{V}$, $I_o = 500\text{mA}$			0.8	
		$I_o = 5\text{mA to } 1.0\text{A}$			0.8	
Output Voltage Drift	$\Delta V_o/\Delta T$	$I_o = 5\text{mA}$		-1.0		mV/°C
Output Noise Voltage	V_N	$f = 10\text{Hz to } 100\text{kHz}$ $T_A = 25^\circ\text{C}$		10		$\mu\text{V}/V_o$
Ripple Rejection	RR	$f = 120\text{Hz}$, $I_o = 500\text{mA}$ $V_i = 18.5\text{V to } 28.5\text{V}$		57		dB
Dropout Voltage	V_D	$I_o = 1\text{A}$, $T_J = 25^\circ\text{C}$		2.0		
Output Resistance	R_o	$f = 1\text{KHz}$		19		m Ω
Short Circuit Current	I_{sc}	$V_i = 35\text{V}$, $T_A = 25^\circ\text{C}$		250		mA
Peak Current	I_{PK}	$T_J = 25^\circ\text{C}$		2.2		A

KA7824A ELECTRICAL CHARACTERISTICS

(Refer to the test circuits. $T_J = 0$ to 150°C , $I_o = 1\text{A}$, $V_I = 33\text{V}$, $C_I = 0.33\ \mu\text{F}$, $C_O = 0.1\ \mu\text{F}$, unless otherwise specified)

Characteristic	Symbol	Test Conditions	Min	Typ	Max	Unit
Output Voltage	V_o	$T_J = 25^\circ\text{C}$	23.5	24	24.5	V
		$I_o = 5\text{mA to } 1\text{A}$, $P_D \leq 15\text{W}$ $V_I = 27.3\text{ to } 38\text{V}$	23	24	25	
• Line Regulation	ΔV_o	$V_I = 27\text{ to } 38\text{V}$ $I_o = 500\text{mA}$		18	240	mV
		$V_I = 21\text{ to } 33\text{V}$		6	240	
		$T_J = 25^\circ\text{C}$	$V_I = 26.7\text{V to } 38\text{V}$ $V_I = 30\text{V to } 36\text{V}$		18 6	
• Load Regulation	ΔV_o	$T_J = 25^\circ\text{C}$ $I_o = 5\text{mA to } 1.5\text{A}$		15	100	mV
		$I_o = 5\text{mA to } 1.0\text{A}$		15	100	
		$I_o = 250\text{ to } 750\text{mA}$		7	50	
Quiescent Current	I_o	$T_J = 25^\circ\text{C}$		5.2	6.0	mA
Quiescent Current Change	ΔI_o	$V_I = 27.3\text{V to } 38\text{V}$, $T_J = 25^\circ\text{C}$			0.5	mA
		$V_I = 27.3\text{V to } 38\text{V}$, $I_o = 500\text{mA}$			0.8	
		$I_o = 5\text{mA to } 1.0\text{A}$			0.8	
Output Voltage Drift	$\Delta V_o / \Delta T$	$I_o = 5\text{mA}$		-1.5		mV/°C
Output Noise Voltage	V_N	$f = 10\text{Hz to } 100\text{kHz}$ $T_A = 25^\circ\text{C}$		10		$\mu\text{V} / V_o$
Ripple Rejection	RR	$f = 120\text{Hz}$, $I_o = 500\text{mA}$ $V_I = 18.5\text{V to } 28.5\text{V}$		54		dB
Dropout Voltage	V_D	$I_o = 1\text{A}$, $T_J = 25^\circ\text{C}$		2.0		
Output Resistance	R_o	$f = 1\text{kHz}$		20		m Ω
Short Circuit Current	I_{sc}	$V_I = 35\text{V}$, $T_A = 25^\circ\text{C}$		250		mA
Peak Current	I_{PK}	$T_J = 25^\circ\text{C}$		2.2		A

TEST CIRCUITS

Fig. 1 DC Parameters

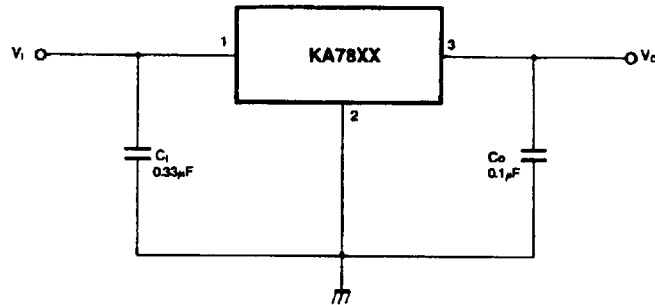


Fig. 2 Load Regulation

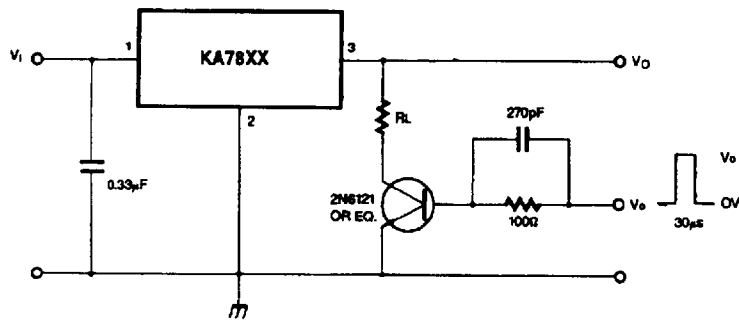
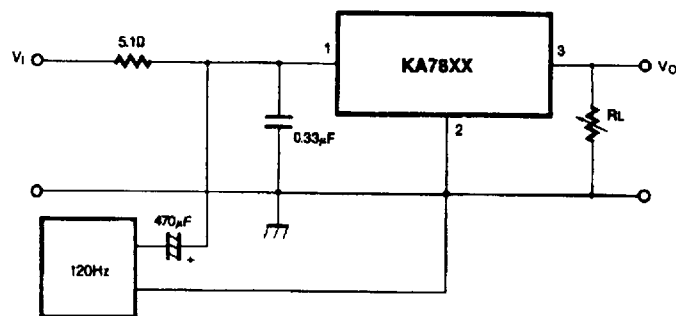


Fig. 3 Ripple Rejection



APPLICATION CIRCUITS

Fig. 4 Fixed Output Regulator

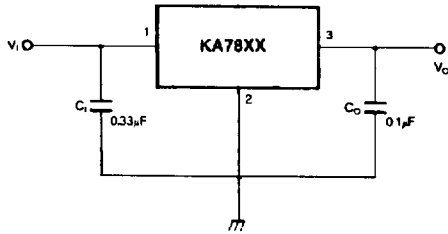
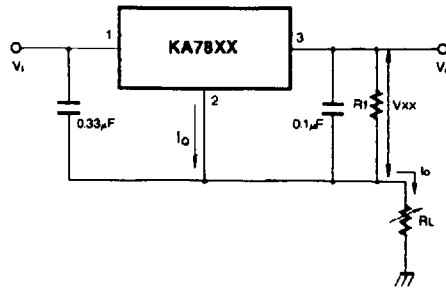


Fig. 5 Constant Current Regulator

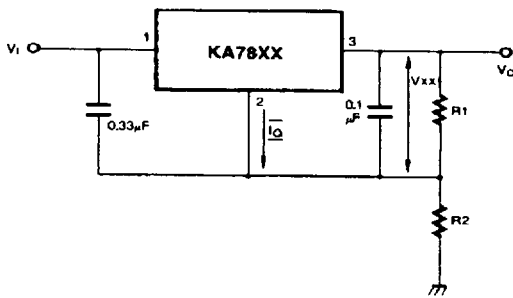


$$I_o = \frac{V_{XX}}{R_1} + I_o$$

Notes:

- (1) To specify an output voltage, substitute voltage value for "XX."
A common ground is required between the input and the Output voltage. The input voltage must remain typically 2.0V above the output voltage even during the low point on the input ripple voltage.
- (2) C₁ is required if regulator is located an appreciable distance from power supply filter.
- (3) C₀ improves stability and transient response.

Fig. 6 Circuit for Increasing Output Voltage



$$I_{R1} \geq 5 I_o$$

$$V_o = V_{XX}(1+R_2/R_1) + I_o R_2$$

Fig. 7 Adjustable Output Regulator (7 to 30V)

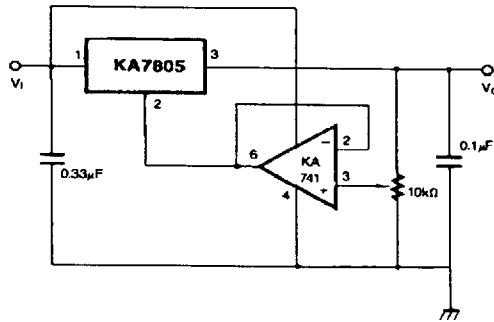


Fig. 8 High Current Voltage Regulator

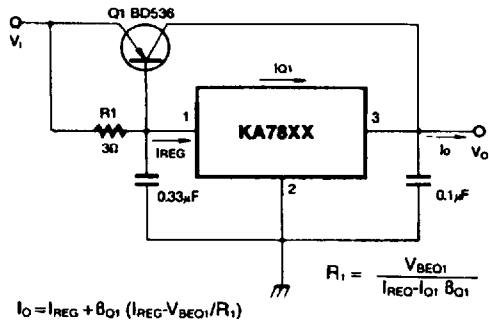


Fig. 9. High Output Current with Short Circuit Protection

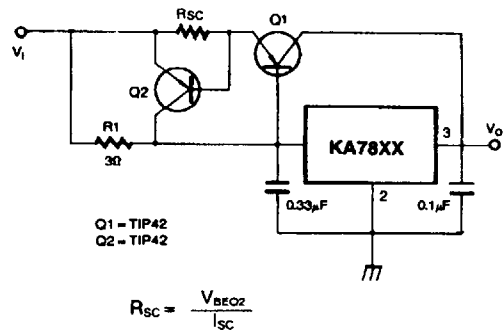


Fig. 10 Tracking Voltage Regulator

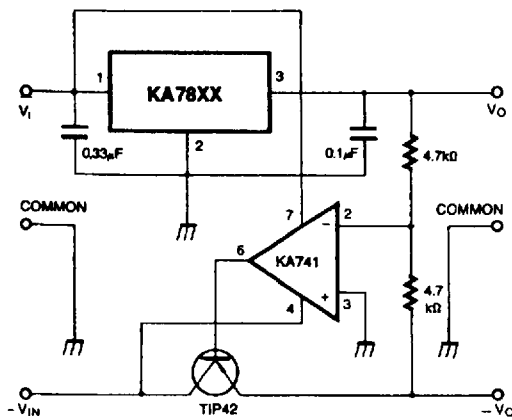


Fig. 11 Split Power Supply ($\pm 15V-1A$)

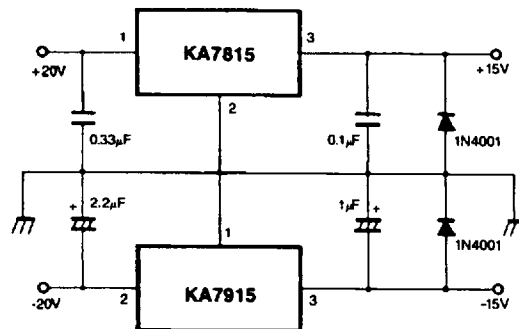


Fig. 12 Negative Output Voltage Circuit

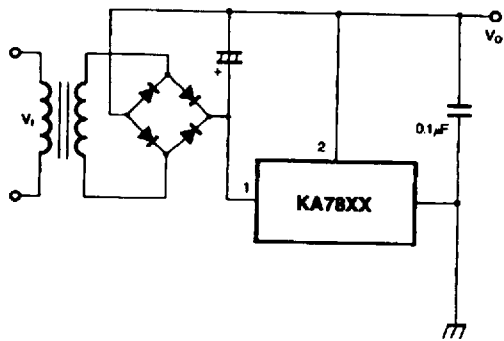
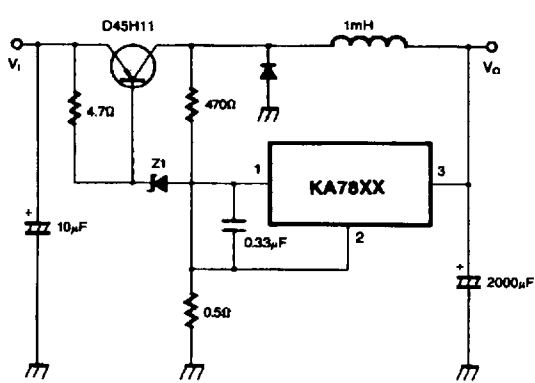


Fig. 13 switching Regulator



TYPICAL PERFORMANCE CHARACTERISTICS

Fig. 14 QUIESCENT CURRENT

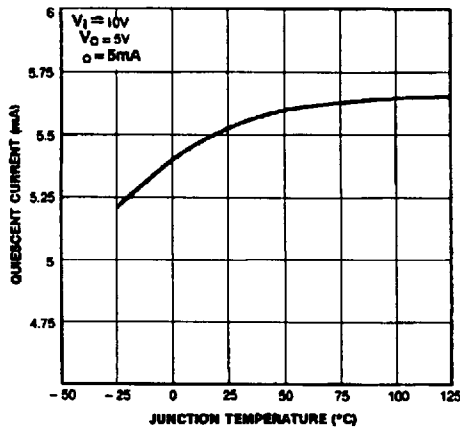


Fig. 15 PEAK OUTPUT CURRENT

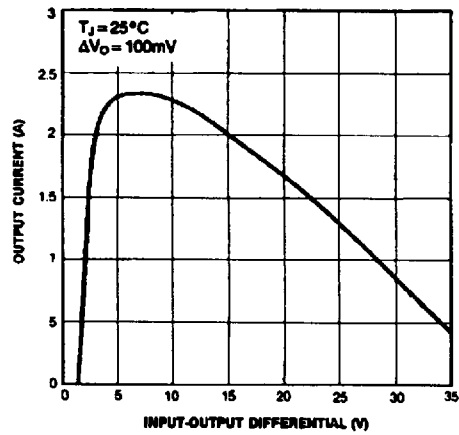


Fig. 16 OUTPUT VOLTAGE

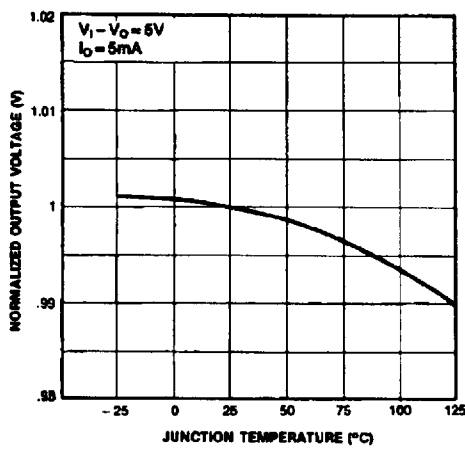
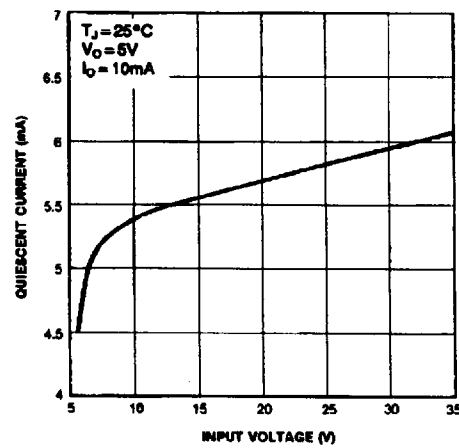


Fig. 17 QUIESCENT CURRENT



Dimensions in Millimeters

